

Enabling Nanoscale Advances



Accurion Acoustic Enclosure

Acoustic Noise Isolation



Accurion Acoustic Enclosure

Acoustic Noise Isolation

The Accurion Acoustic Enclosures have been designed as accessory to our active vibration isolation systems but they are also available as stand-alone devices.

Due to a multi-layer wall construction, the enclosure provides broadband damping of airborne and structure-borne noise, caused by e. g. air conditioning, ventilation or vacuum pumps. The walls are inclined at 4° to prevent sound waves from spreading. The entire front part of the acoustic enclosure can be effortlessly lifted by a gas pressure actuated mechanism. This provides optimal access to the internal chamber and the set-up inside.

The light-weight construction of the acoustic enclosures enables the use in locations with limited floor load-bearing capacity. To ensure their stability during operation, larger versions are usually mounted on a solid steel frame.

To meet the requirements of our customers, we offer a wide range of customizations regarding dimensions and cable port.



Accessories and Options

- Steel support frame
- Selectable position of the cable port
- Modifications according to customer requirements

Key Features

- Broadband damping of acoustic noise through multi-layer wall construction.
- Smooth gas pressure spring opening.
- Light-weight design compared to steel enclosures.
- Easy access to the interior chamber.
- 4° wall inclination to avoid sound wave spreading.

Selected Examples



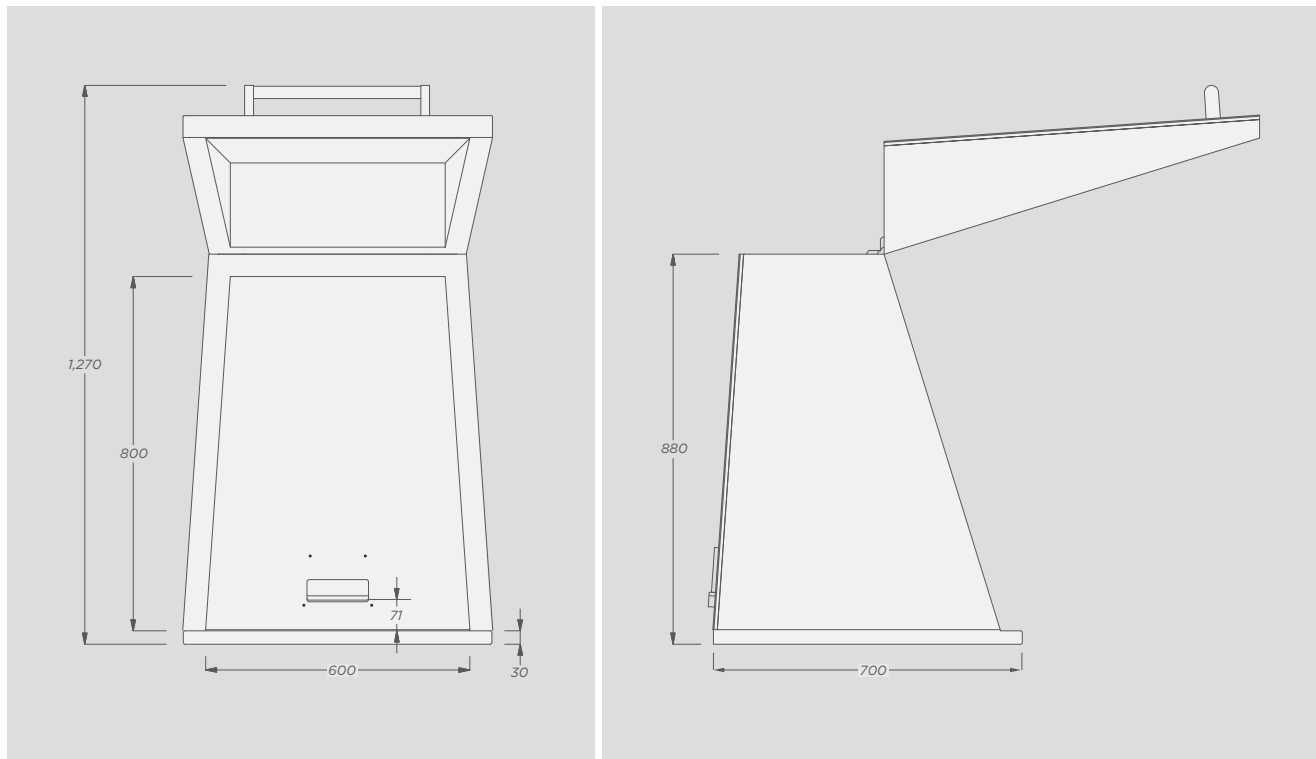
▪ Accurion Acoustic Enclosure 200 with Accurion Nano 20



▪ Accurion Acoustic Enclosure 600 with Accurion i4 Large and support frame

Accurion Acoustic Enclosure 600

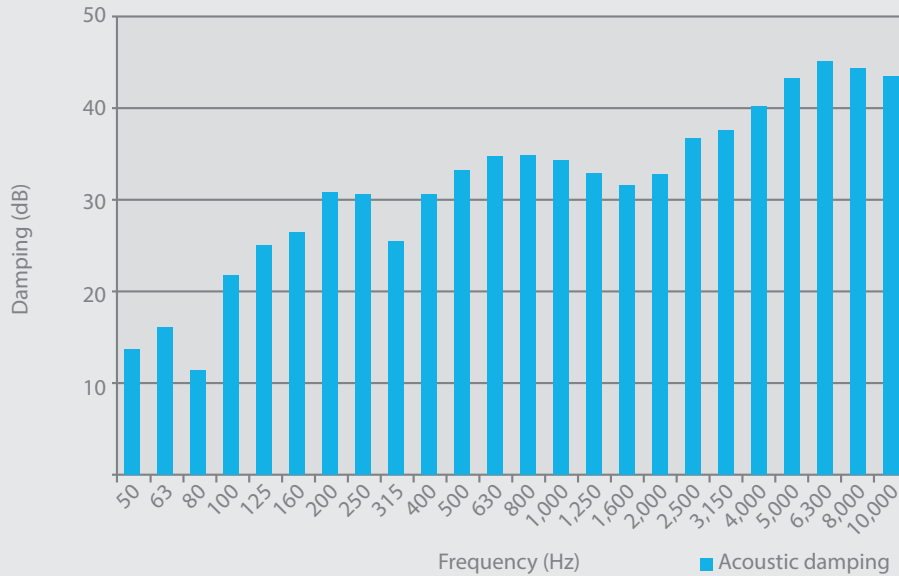
Inside dimensions: 600 × 600 × 800 mm / 23.6" × 23.6" × 31.5"



Specifications	AE 200	AE 600	AE 780	AE 900
Inside dimensions (L × W × H)	352 × 352 × 415 mm 13.9" × 13.9" × 16.3"	600 × 600 × 800 mm 23.6" × 23.6" × 31.5"	780 × 600 × 940 mm 30.7" × 23.6" × 37"	950 × 750 × 940 mm 37.4" × 29.5" × 37"
Outside dimensions (L × W × H)	450 × 450 × 500 mm 17.7" × 17.7" × 19.7"	700 × 700 × 880 mm 27.6" × 27.6" × 34.6"	950 × 770 × 1,000 mm 37.4" × 30.3" × 39.4"	1,070 × 920 × 1,000 mm 42.1" × 36.2" × 39.4"
Weight	20 kg / 44 lbs	70 kg / 154 lbs	80 kg / 176 lbs	100 kg / 220 lbs
Isolation technology	Multi-Layer wall construction using organic fiber board with outer melamin resin surface and acoustic isolation foam based on polyether-polyurethane materials on the inside.			
Flammability of foam damping layer (FMVSS 302 DIN 75 200)	< 100 mm / min.			
Door lifting	2 gas pressure springs			
Handle(s)	Aluminum alloy, tubular			
Cable port dimensions	140 × 25 mm / 5.5" × 1"			
Environmental and operational requirements	Relative humidity: 0 – 90 % Operating altitude: < 2,500 m / 8,100 ft			

ⓘ Note: The acoustic enclosures are not cleanroom compatible.

Sound power level reduction of Acoustic Enclosure 780 (EN_11546-1)



Park Systems GmbH - Accurion

Park Systems GmbH previously known as Accurion GmbH is a leading provider of high-end, state of the art imaging ellipsometry and active vibration isolation products. Accurion was merged into Park Systems Corporation in 2022 to boost its R&D resources and expand its sales network to better serve its customers.

Park Systems is a world leading manufacturer of nano metrology-microscopy solutions including the atomic force microscopy (AFM), white light interferometry and infrared spectroscopy systems. It provides complete range of nano metrology and microscopy products for researchers and engineers in the chemistry, materials, physics, life sciences, semiconductor, and data storage industries.

Prior to merger with Park Systems, Accurion was previously known as Nanofilm Technology GmbH, a spin-off from the Max Planck Institute for biophysical chemistry in Goettingen. In 1991, the company began designing the Brewster angle microscope for the characterization of ultrathin films. In 1996, the company's division of active vibration isolation was established. In 2009, Halcyonics GmbH, a specialist in active vibration isolation solutions, merged with Nanofilm Technology GmbH to form Accurion GmbH.

Park Systems Americas

+1-408-986-1110 (USA)
+52-55-7100-2354 (Mexico)

Park Systems Europe

+49 (0)-621-490896-50 (Germany)
+33 (0)-6-07-10-87-36 (France)
+44 (0)-115-784-0046 (UK&Ireland)

Park Systems GmbH - Accurion

+49-551-999600 (Germany)

Park Systems Japan

+81-3-3219-1001 (Japan)

Park Systems Greater China

+86-10-6254-4360 (China)
+886-3-5601189 (Taiwan)

Park Systems SE Asia

+65-6634-7470 (Singapore)

Park Systems Korea

+82-31-546-6800 (Republic of Korea)

Park Systems India

+91-96869 51464 (India)

Park Systems Corporate Headquarters

To learn more about Park Systems, please visit www.parksystems.com or e-mail inquiry@parksystems.com

KANC 15F, Gwanggyo-ro 109, Suwon 16229, Korea Tel.+82-31-546-6800
©2023 Park Systems Corp. All rights reserved. All products and features are subject to change.
All brand names and logos are trademarks of their respective companies.
No part of this publication may be reproduced or distributed without the express written permission of Park Systems Corp.

